

# SETPOINT COMPARATOR

## AM-132A

### \*Peak Hold Option



### ■ DC Voltage Measurement

Model	Range	Display Adjustable	Input Impedance	Input Protection
AM-132A-11	±99.99mV	Offset ±9999	100MΩ	±250V
AM-132A-12	±999.9mV		100MΩ	±250V
AM-132A-13	±9.999V	Fullscale 0~±9999	1MΩ	±250V
AM-132A-14	±99.99V		1MΩ	±500V
AM-132A-15	±700.0V		10MΩ	±700V

Accuracy: ±0.03% rdg. ±1 digit (23°C ±5°C)  
±0.1% rdg. ±2 digit only for AM-132A-15

### ■ DC Current Measurement

Model	Range	Display Adjustable	Internal Resistance	Input Protection
AM-132A-21	±99.99μA	Offset ±9999	1kΩ	±10mA
AM-132A-22	±999.9μA		100Ω	±50mA
AM-132A-23	±9.999mA	Fullscale 0~±9999	10Ω	±150mA
AM-132A-24	±99.99mA		1Ω	±500mA
AM-132A-25	±999.9mA		0.1Ω	±3A

Accuracy: ±0.1% rdg. ±1 digit (23°C ±5°C)  
±0.3% rdg. ±1 digit only for AM-132A-25

### ■ 1-5V Measurement

Model	Range	Display Adjustable	Input Impedance	Input Protection
AM-132A-1V	1-5V	Offset ±9999 Fullscale 0~±9999	1MΩ	±250V

Accuracy: ±0.03% rdg. ±2 digit (23°C ±5°C)

### ■ 4-20mA Measurement

Model	Range	Display Adjustable	Internal Resistance	Input Protection
AM-132A-2A	4-20mA	Offset ±9999 Fullscale 0~±9999	51Ω	±70mA

Accuracy: ±0.1% rdg. ±2 digit (23°C ±5°C)

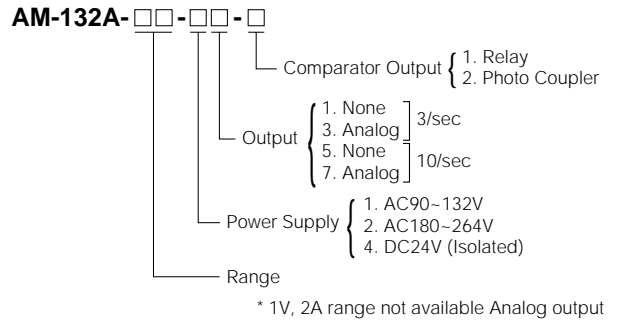
### ■ Specifications

Input Configuration:	Single Ended
Input Bias Current:	50PA (Typ.)
Conversion Rate:	10/sec or 3/sec
Normal Mode Rejection:	NMR40dB or more (50/60Hz)
Zero Stability:	Automatic Zero Adjustment
Zero Display:	Leading zero suppression
Display:	LED, 10mm, 4 digit
Decimal Point:	Settable to any digit position
Polarity:	A "-" is displayed automatically
Overrange Indication:	When input exceeds the maximum display, flash just before overflow number
Power Supply:	AC90~132V, AC180~264V, DC24V ±20%
Operating Temperature:	0~50°C, 35 to 85%RH
Power Consumption:	Approx. 2VA
Dimensions:	48(H) × 96(W) × 95(D)mm DIN Size
Weight:	Approx. 350g
Dielectric Strength:	Between input (Lo) and earth (E), DC500V Between power supply and input, earth (E), COM, relay output, AC1500V/1 min DC500V 100MΩ at above terminals
Insulation Resistance:	
Control System:	8-bit microcomputer
Setting Range:	+9999~0~-9999
Comparative Condition:	Indication > High setpoint → HI High setpoint ≧ Indication ≧ Low setpoint → GO Indication < Low setpoint → LO
Relay Contact Capacity:	AC250V 0.1A Resistive load AC120V 0.5A Resistive load DC28V 1A Resistive load
External Control:	Reset; When reset and common terminals are shorted or OV, comparison value hold

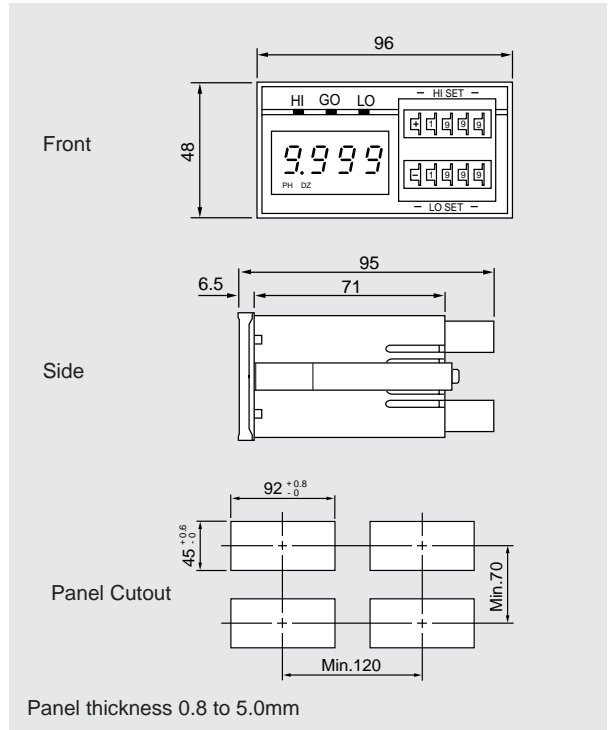
### ■ Features

- Bright LED, 10mm (Red)
- Leading zero suppression
- Digital Zero, Peak, Valley, Peak-Valley Hold (Option)
- Analog output (Option) (0~±1V)
- 1-5V, 4-20mA, 100mV~700V, 100μA~1A Measurement

### ■ Ordering Code



### ■ Dimensions



### ■ Connection Diagram

