

SETPOINT COMPARATOR

AM-122A

*Two Setpoint, Peak Hold (Option)



■ DC Voltage Measurement

Model	Range	Maximum Resolution	Input Impedance	Input Protection
AM-122A-11	±199.9mV	100μV	100MΩ	±250V
AM-122A-12	±1.999V	1mV	100MΩ	±250V
AM-122A-13	±19.99V	10mV	10MΩ	±250V
AM-122A-14	±199.9V	100mV	10MΩ	±500V

Accuracy: ±0.1% rdg. ±1 digit (23°C ±5°C)
±0.1% rdg. ±2 digit only for AM-132A-15

■ DC Current Measurement

Model	Range	Maximum Resolution	Internal Resistance	Input Protection
AM-122A-21	±199.9μA	100nA	1kΩ	±10mA
AM-122A-22	±1.999mA	1μA	100Ω	±50mA
AM-122A-23	±19.99mA	10μA	10Ω	±150mA
AM-122A-24	±199.9mA	100μA	1Ω	±500mA
AM-122A-25	±1.999A	1mA	0.1Ω	±3A

Accuracy: ±0.2% rdg. ±1 digit (23°C ±5°C)
±.3% rdg. ±1 digit only for AM-122A-25

■ 1-5V Measurement

Model	Range	Display Adjustable	Input Impedance	Input Protection
AM-122A-1V	1~5V	Offset ±1000 Fullscale 100~1999	1MΩ	±250V

Accuracy: ±0.1% rdg. ±2 digit (23°C ±5°C)

■ 4-20mA Measurement

Model	Range	Display Adjustable	Internal Resistance	Input Protection
AM-122A-2A	4~20mA	Offset ±1000 Fullscale 100~1999	51Ω	±70mA

Accuracy: ±0.1% rdg. ±2 digit (23°C ±5°C)

■ Specifications

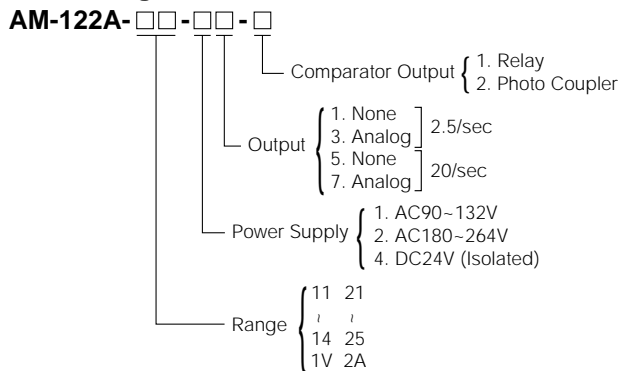
Input Configuration: Single Ended
Input Bias Current: 2nA (Typ.)
Conversion Rate: 20/sec or 2.5/sec
Normal Mode Rejection: More than 40dB (50/60Hz)
Zero Stability: Automatic Zero Adjustment
Zero Display: Leading zero suppression
Display: LED, 10mm, 3 1/2 digits
Polarity: A "-" is displayed automatically
Decimal Point: Settable to any digit position
Overrange Indication: When input exceeds the maximum display, flash just before overflow number
Power Supply: AC90~132V, AC180~264V, DC24V ±20%
Operating Temperature: 0~50°C, 35 to 85%RH
Power Consumption: Approx. 2VA
Dimensions: 48(H) × 96(W) × 95(D)mm DIN Size
Weight: Approx. 350g
Dielectric Strength: Between input (I_o) terminal and earth, DC500V
 Between power supply terminal and input terminal, earth, common, relay output, AC1500V/1 min
 DC500V 100MΩ at above terminals
Insulation Resistance: DC500V 100MΩ at above terminals
Control System: 8-bit microcomputer
Setting Range: -1999~0~+1999
Comparative Condition: Indication > High set-point → HI
 High set-point ^ Indication ^ Low set-point → GO
 Indication < Low set-point → LO
Relay Contact Capacity: 250V AC 0.1A Resistive load
 120V AC 0.5A Resistive load
 28V DC 1A Resistive load

■ Features

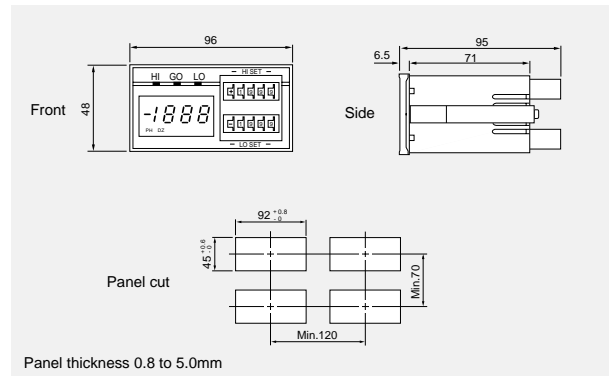
- Leading Zero Suppression
- Digital Zero (option)
- Peak, Valley, Peak-Valley Hold (option)
- Analog Output (option) (0~±2V)
- 200mV~200V, 200μA~2A Measurement
- 1~5V, 4~20mA Measurement
- Bright LED 10mm (Red)
- Relay or Photo Coupler output

External Control: Reset:
 When reset and common terminal are shorted, comparison value hold
 Start:
 Contact signal (Open)
 Option Digital zero: Set the mechanical initial values of the pressure sensor, potentiometer, etc. to zero.
 Peak hold: Maximum value measurement display
 Valley hold: Minimum value measurement display
 Peak valley hold: Measurement display of the difference between maximum and minimum values.
 Analog output: 0~±2V, 0.5% F.S. (23°C ±5°C)
 More than 20kΩ (Load)

■ Ordering Code



■ Dimensions



■ Connection Diagram

